

The Building Blocks for Water Treatment Equipment

Glued Leakproof Injection Check Valve

1/4" 3/8" 1/2" Injection Check Valve Assembly

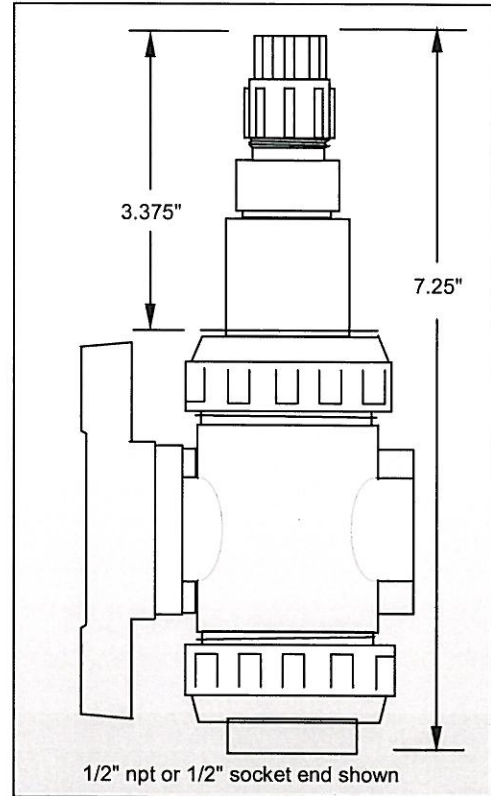
Tired of leaks? Try this solution from Northeast Pump and Instrument Your Chemical Feed Equipment Solution Source

Introducing NPI's new and improved Injection Check Valve Assembly. NPI has developed a new Injection Check Valve Assembly that will prevent leaks at the injection point by use of this new glued assembly that will stop the leaks and reduce maintenance as well. The Injection Check Valve comes in three tubing sizes: 1/4", 3/8", and 1/2" OD tubing sizes. The mating tubing must have a 0.062" wall thickness or be 1/8", 1/4", and 3/8" ID tubing respectively. The materials of construction include:

PVC, Teflon, Hastelloy C, Ceramic and Viton / FKM or EPDM ball valve seals.

This Injection Check Valve Assembly comes with a shut off valve included and can be specified for many chemical applications and is available with Viton, / FKM or EPDM seals. The 1/2" PVC True Union Ball Valve also acts as a shut off for maintenance of the pump discharge line without having to withdraw the injection nozzle from the Corporation Stop.

After initial installation the check valve assembly can be purchased separately and replaced as it will wear over time.



PART #	SIZE	DESCRIPTION
NPVCGLICV250E	1/4" EPDM	Tubing connection with True Union Ball Valve
NPVCGLICV250V	1/4" VITON	Tubing connection with True Union Ball Valve
NPVCGLICV375E	3/8" EPDM	Tubing connection with True Union Ball Valve
NPVCGLICV375V	3/8" VITON	Tubing connection with True Union Ball Valve
NPVCGLICV500E	1/2" EPDM	Tubing connection with True Union Ball Valve
NPVCGLICV500V	1/2" VITON	Tubing connection with True Union Ball Valve
NGLICVRPL250		1/4" Replacement check valve
NGLICVRPL375		3/8" Replacement check valve
NGLICVRPL500		1/2" Replacement check valve

800-378-1500

Northeast Pump & Instrument

www.npipump.com

190 Summer Street, Lunenburg, MA 01462