

Liquitron™ AC5000 Series Conductivity Controller

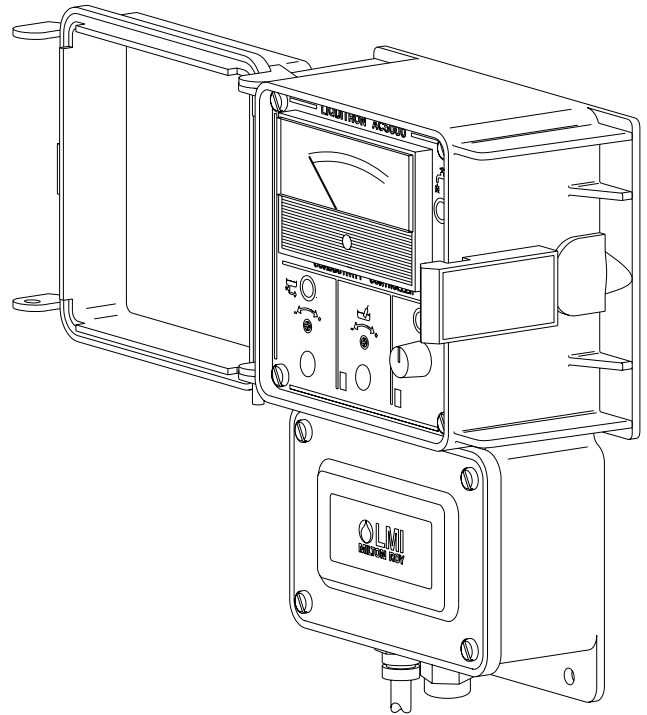
Cooling Tower

The AC5000 Series Conductivity Controller is an analog-based control system that will operate in a variety of water treatment applications.

The AC5000 provides a variable set point with relay outputs for conductivity control and chemical feed addition.

Three (3) selectable feed modes for control of chemical feed pump.

A high accuracy analog meter is provided for conductivity monitoring and reading.



Features

- 0–5,000 μ S Display
- High Accuracy Iron Vane Meter
- Temperature Compensation Input
- Bleed and Feed Indicator Lights
- Flow Switch Input and Indicator
- Adjustable Bleed Conductivity Set Point
- Automatic Hysteresis 6% of Set Point
- Adjustable Calibration
- Meter Test Circuitry
- 4 – 20 mA Recorder Output (Optional)
- UL and CUL Certified

Feed Modes

Feed Limit (Feed and Bleed Simultaneously)
1–100 Minutes

Percentage of Time (Reset)
10 Minute Repeating Cycle
1–100% On-time for each 10 Minute Cycle

Water Meter Trigger (Pulse Input)
1–100 Seconds On-time



8 Post Office Square
Acton, MA 01720 USA
TEL: (978) 263-9800
FAX: (978) 264-9172
<http://www.lmipumps.com>



Enclosure

NEMA 12X Type (prewired version)

Hardwiring makes the unit suitable for NEMA 4X applications.

Material (Housing)

Flame retardant, molded TPE

Material (Cover)

Clear molded polycarbonate, padlockable

Environment

32° F to 122° F (0° C to 50° C)

0 to 95% (non-condensing) relative humidity

Relays

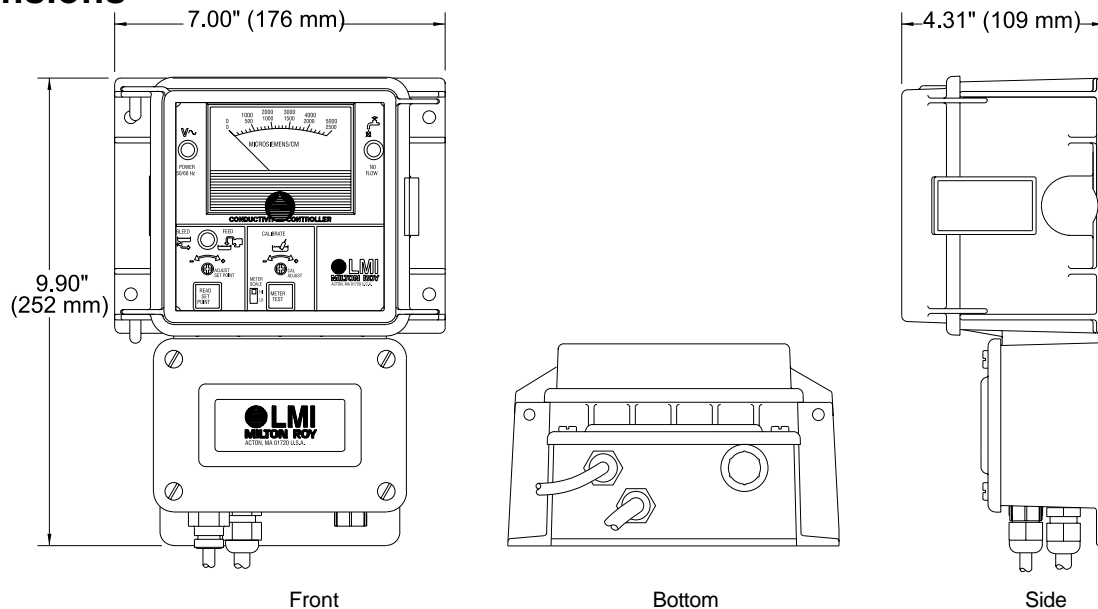
Two (2) relays. Unit fused for 10 Amp total load.
10 Amp @ 115 VAC, 5 Amp @ 230 VAC.

Hardware

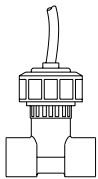
115 VAC, 50/60 Hz units provided with a 6 ft (2 m) grounded power cord & plug and two (2) 1 ft (30 cm) output power cords with grounded receptacles for controlled devices.

230 VAC, 50/60 Hz units provided with 6 ft (2 m) grounded power cord & plug and throughput connectors for hardwire connection of controlled devices.

Dimensions

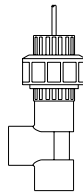


Options



Conductivity Probes

- Cooling tower
- 3/4" piping
- Threaded or FSLIP
- Hardwire or quick connector



Flow Switch

- Threaded or FSLIP piping
- 3/4" piping
- Quick disconnect for cleaning
- Hardwire or quick connector

Manifolds

- Flow switch
- Conductivity probe
- Sample valve
- 3/4" piping
- Threaded or FSLIP

